

EPIC™ WIFI LIGHTING SYSTEM

BEYOND THE LIMITS!

Specifier's Reference
Project
Type
Model No.
Comments or Special Instructions

EPIC'S EP-TCP232-WiFi OR TO ETHERNET MODULE SERIES

FUNCTION FEATURES

- 100M high speed Ethernet card, 10/100M auto detect interface;
- Support AUTO MDI/MDIX, Can use a crossover cable or parallel cable connection;
- RS232 bound rate can set up from 300 to 256000;
- Work mode TCP Server, TCP Client, UDP, UDP Server;
- Working model related parameters can be set via a serial port or network;
- Virtual serial port supported;
- Unique heartbeat package mechanism to ensure that the connection is reliable
- Across the gateway, across switches, routers;
- Can work in LAN, also can work on the Internet (external network);
- Transmission distance: RS232 - 15 meters, RS485 - 1000 meters, cable 200 meters (after the switches together through the Internet, no distance limit).

PRODUCT FEATURES

- 32 bits ARM CPU inside;
- LAN : 10/100Mbps; protect: Built-2KV isolated electromagnetic;
- serial port baud rate: from 2400 to 256 KBPS can be set up
- network protocol: ETHERNET ARP IP UDP TCP ICMP;
- Software tool: configuration software, TCP/UDP test soft, RS232 debug soft;
- Configuration method: RS232 or via Ethernet, free software available;
- Operating temperature: -25~75°C;
- Save the environment: -40~85°C, 5~95%RH.

EP-WLS-ETH

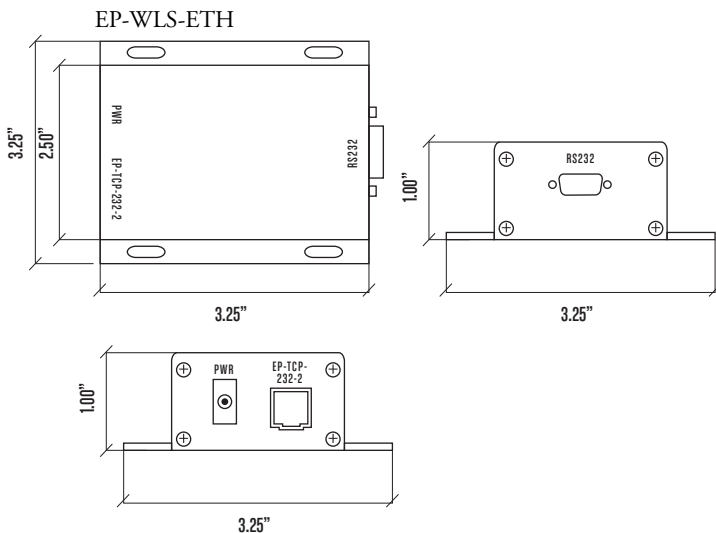


EP-WLS-WIFI

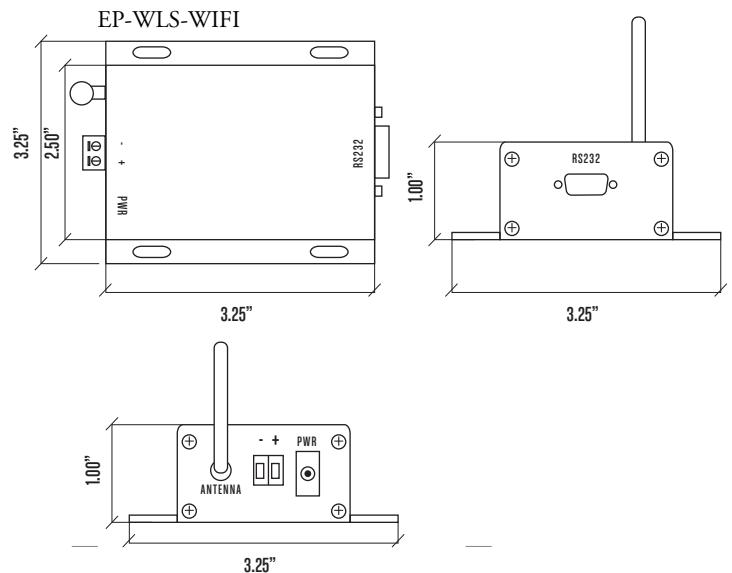


The Epic™ WiFi Lighting Control System is a simple wired (EP-WLS-ETH) or wireless (EP-WLS-WIFI) conduit between you and your device over a network.

EXTERNAL DIMENSIONS



PANEL DIMENSIONS



Ordering Information

PRODUCT

- EP-WLS-ETH
- EP-WLS-WIFI

PRINT SEND