

Specifier's Reference
Project
Type
Model No.
Comments or Special Instructions

EPIC'S EP-RGB-RC-PANEL RF REMOTE

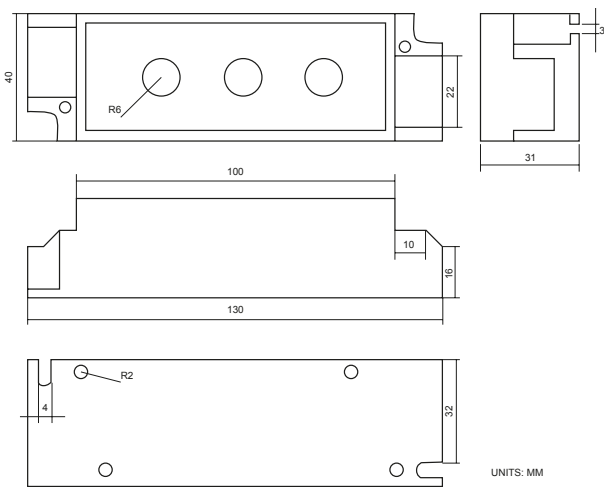
SPECIFICATIONS

Working temperature:	-20-60 Deg
Supply voltage:	DC5V, 12V, 18V, 24V < optional > (supply voltage should be marked on order)
Output:	3 channels
Connection mode:	common anode
External dimension:	L120 x W75 x H31 mm
Packing size:	L145 x W95 x H50 mm
Net weight:	185g
Gross weight:	245g
Static power:	<1W
Output current:	<3A(each channel)
Output power:	5V<45W, 12V<108W, 24V<216W

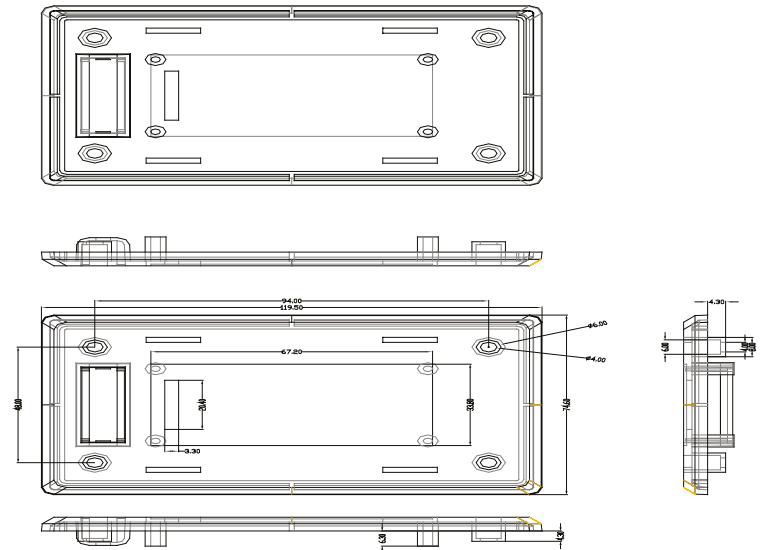


The Panel controller controller adopts the advanced micro-control unit, it is used for controlling a variety of lamp whose source of light is LED. For instance, point source of light, flexible strip light, wall washer lamp, glass curtain wall light and so on; It has many advantages such as easy connection and simplicity to use; According to the actual need of customers, it can carry out jumpy changing, gradual changing, stroboflash and other effects of change.

EXTERNAL DIMENSIONS



PANEL DIMENSIONS



Ordering Information

PRODUCT

EP-RGB-RC-PANEL

