

EPIC'S EP-2806-10Z-RC RF REMOTE

SPECIFICATIONS SENDER: (MODEL: EP-2806-10Z-RC)

Working temperature:	4.5V(3×1.5V 7 AAA battery)
Working current:	<22mA
Dormancy current:	<20μA
Working frequency:	434MHZ/868MHZ/915MHZ(optional)
Transmit power:	≥5dBm

SPECIFICATIONS RECEIVER: (MODEL:EP-1003-EA-10Z-CVC)

Input Voltage:	12-36VDC
Input Current:	4CH×8A max
Output power:	4CH×(36-108W) max
Working Frequency:	434MHZ/868MHZ/915MHZ (optional)

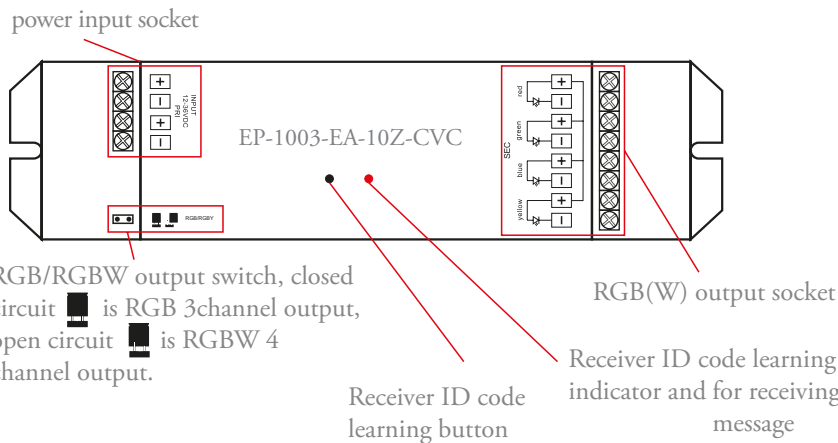
for operating instructions! Please visit our website or contact us directly



Easy RGB(W) remote controller is a wireless color controlling system that consists of a sender and a receiver or several receivers.

By selecting switch status, you can set the system as RGB 3-channel output, or RGBW 4-channel output. Using Easy RGB(W) from RGB(W) to adjust so as to mix more than 100 million kinds of colors. With built-in 10 kinds of color changing modes, you can easily switch color changing modes and adjust speed and brightness. "Function Pause" enables RGBW LED to stay at your favorite color under the situation of color changing modes, which operation is simple but functional.

There are three working frequencies for option: 434MHZ,868MHZ or 915MHZ,they are suitable for Europe, Americas and all global market demands. All products completely comply with European CE regulations and American FCC regulations.



Ordering Information

PRODUCT

EP-2808-1ZRC (REMOTE)

EP-1003-EA-10Z-CVC (RECIEVER)



Specifier's Reference
Project
Type
Model No.
Comments or Special Instructions